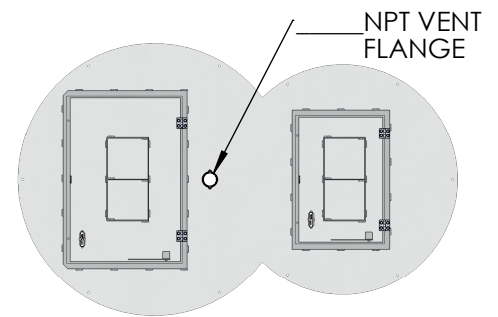


**PUMP INFORMATION**

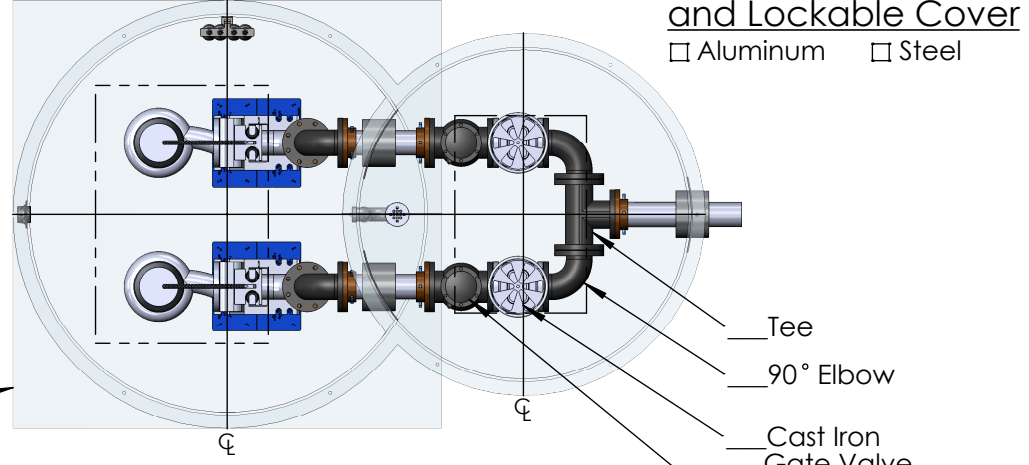
Model NO: \_\_\_\_\_  
 Rating: \_\_\_\_\_ GPM \_\_\_\_\_ TDH  
 Motor: \_\_\_\_\_ HP \_\_\_\_\_ RPM  
 Elec: \_\_\_\_\_ PH \_\_\_\_\_ HZ \_\_\_\_\_ v  
 Elec: \_\_\_\_\_ FL AMPS  
 Rail System: \_\_\_\_\_



**One Piece Hinged and Lockable Cover**  
 Aluminum     Steel

**DISCHARGE PIPE**

- 3"
- 4"

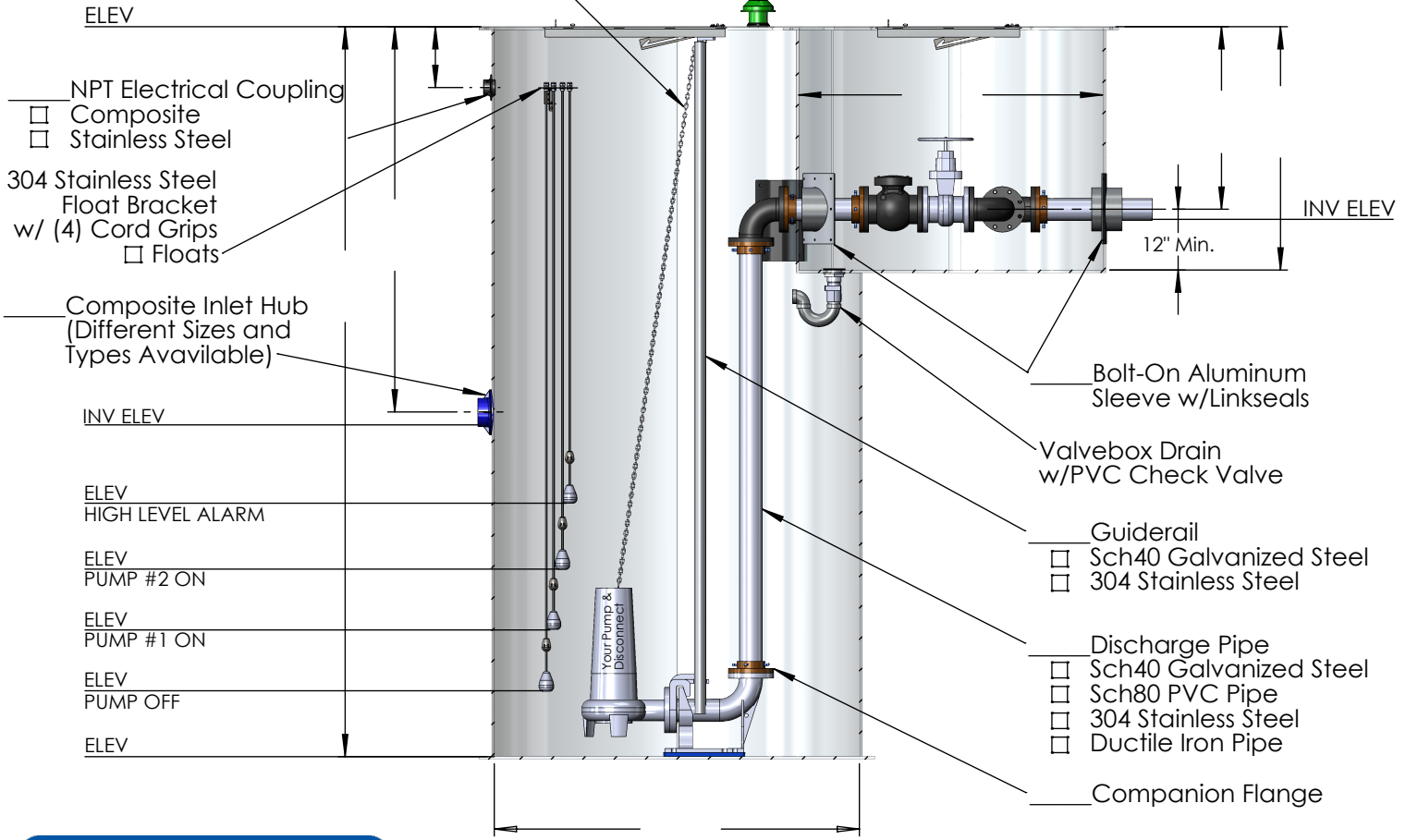


Anti-Floatation Flange  
 Fiberglass Encapsulated  
 ASTM A-36 Steel

3/16" Lifting Chain  
 304 Stainless Steel

Green Vent

- \_\_\_ Tee
- \_\_\_ 90° Elbow
- \_\_\_ Cast Iron Gate Valve
- \_\_\_ Cast Iron Swing Check Valve



ELEV

INV ELEV

NPT Electrical Coupling  
 Composite  
 Stainless Steel

304 Stainless Steel  
 Float Bracket  
 w/ (4) Cord Grips  
 Floats

Composite Inlet Hub  
 (Different Sizes and  
 Types Available)

INV ELEV

ELEV  
 HIGH LEVEL ALARM

ELEV  
 PUMP #2 ON

ELEV  
 PUMP #1 ON

ELEV  
 PUMP OFF

ELEV

Bolt-On Aluminum  
 Sleeve w/Linkseals

Valvebox Drain  
 w/PVC Check Valve

Guiderail  
 Sch40 Galvanized Steel  
 304 Stainless Steel

Discharge Pipe  
 Sch40 Galvanized Steel  
 Sch80 PVC Pipe  
 304 Stainless Steel  
 Ductile Iron Pipe

Companion Flange

