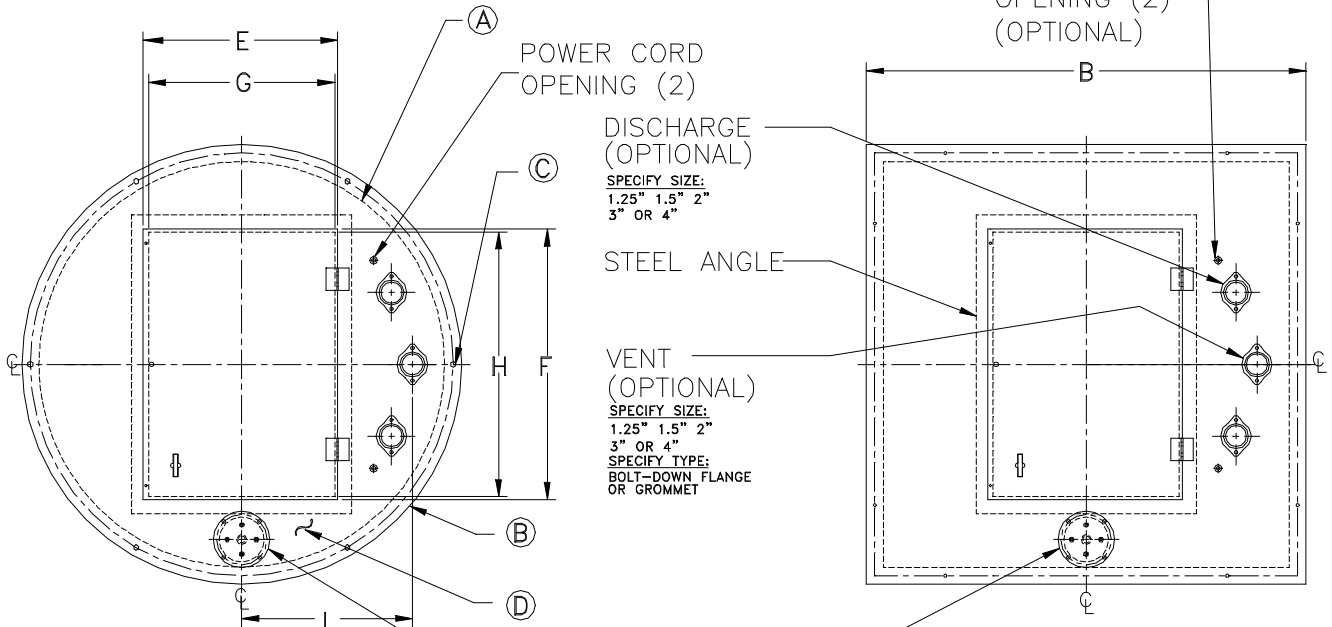


# SINGLE HATCH STEEL BASIN COVER

STAINLESS STEEL HARDWARE STANDARD  
GASKET TAPE PROVIDED

POWER CORD  
OPENING (2)  
(OPTIONAL)



**ROUND COVER**  
HINGED AND LOCKABLE

10" INSPECTION  
PLATE w/ (4)  
1/2" CORD GRIPS  
& 1" COUPLING (OPTIONAL)

**SQUARE COVER**  
HINGED AND LOCKABLE

PART NO.	STYLE	(A) BASIN INSIDE DIM.	(B) OUTSIDE DIM.	(C) BOLT CIRCLE	(D) THICKNESS	(E) HATCH DOOR WIDTH	(F) HATCH DOOR LENGTH	(G) CLEAR ACCESS WIDTH	(H) CLEAR ACCESS LENGTH	(I) DISTANCE
C24HSS	ROUND SQUARE	24 24x24	28 28x28	26.5 26.5x26.5	.25 .25	13½ 13½	17 17	12 12	16 16	N/A N/A
C30HSS	ROUND SQUARE	30 30x30	34 34x34	32.5 32.5x32.5	.25 .25	17½ 17½	23 23	16 16	22 22	13 13
C36HSS	ROUND SQUARE	36 36x36	40 40x40	38.5 38.5x38.5	.25 .25	21½ 21½	25 25	20 20	24 24	16 16
C42HSS	ROUND SQUARE	42 42x42	46 46x46	44.5 44.5x44.5	.25 .25	23½ 23½	33 33	22 22	32 32	19 19
C48HSS	ROUND SQUARE	48 48x48	54 54x54	51.0 51.0x51.0	.25 .25	25½ 25½	37 37	24 24	36 36	21 21
C60HSS	ROUND SQUARE	60 60x60	66 66x66	63.0 63.0x63.0	.375 .375	30½ 30½	40 40	29 29	39 39	28 28
C72HSS	ROUND SQUARE	72 72x72	78 78x78	75.0 75.0x75.0	.375 .375	35½ 35½	49 49	34 34	48 48	28 28

ALL DIMENSIONS IN INCHES  
N/A= NOT APPLICABLE

DISCHARGE FLANGES, CORD GRIPS AND INSPECTION PLATES  
ARE OPTIONAL. (NOT INCLUDED WITH STANDARD COVER)

**INDUSTRIES**  
**TOPP**  
INCORPORATED

SINGLE HATCH STEEL  
BASIN COVER

Reference: -

Highway 25 North P.O. Box 420  
Rochester, IN 46975  
Phone: 800/354-4534 Fax: 574/223-6108

Scale: None

Drawn By: RM

App'd By: .

Date: 10/22/03

Supersedes Prints  
Prior To: 10/22/03

This print is and contains confidential proprietary information owned exclusively by TOPP INDUSTRIES, INC. It is furnished on a strictly confidential basis. This restriction includes, but is not limited to the condition that this print will not only be used as a record or to identify or inspect parts or for other information purposes and will not be used to manufacture or procure the manufacture of the items shown in this print by any other source than TOPP INDUSTRIES, INC.

Reference No: 10084

Revisions

① First Released 06/27/03
