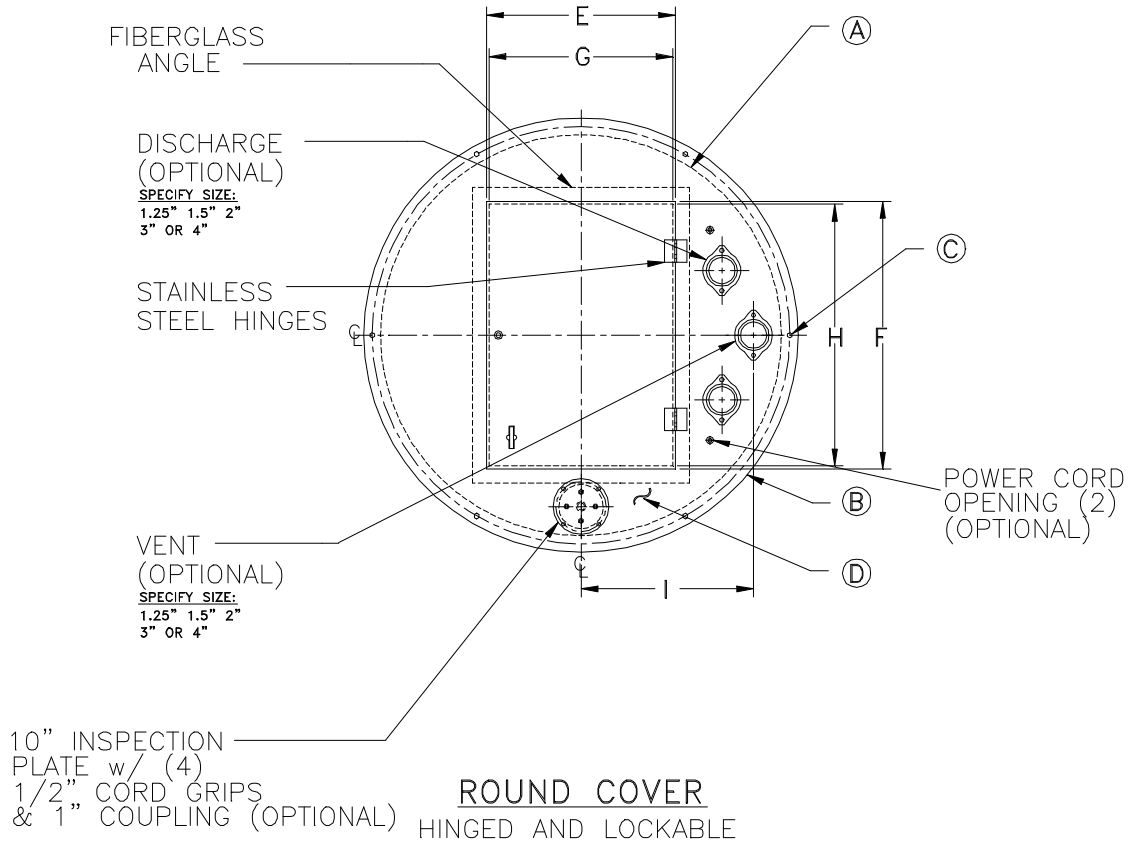


# SINGLE HATCH FIBERGLASS BASIN COVER

STAINLESS STEEL HARDWARE STANDARD  
GASKET TAPE PROVIDED



PART NO.	STYLE	(A) BASIN INSIDE DIM.	(B) OUTSIDE DIM.	(C) BOLT CIRCLE	(D) THICKNESS	(E) HATCH DOOR WIDTH	(F) HATCH DOOR LENGTH	(G) CLEAR ACCESS WIDTH	(H) CLEAR ACCESS LENGTH	(I) DISTANCE
C36HSF	ROUND	36	40	38.5	.375	22	26	20	24	20
C42HSF	ROUND	42	46	44.5	.375	24	36	22	32	27
C48HSF	ROUND	48	54	51.0	.500	26	38	24	36	21

ALL DIMENSIONS IN INCHES  
N/A= NOT APPLICABLE

DISCHARGE FLANGES, CORD GRIPS AND INSPECTION PLATES ARE OPTIONAL. (NOT INCLUDED WITH STANDARD COVER)

**INDUSTRIES**  
**TOPP**  
INCORPORATED

SINGLE HATCH FIBERGLASS  
BASIN COVER

Reference: -

Highway 25 North P.O. Box 420  
Rochester, IN 46975  
Phone: 800/354-4534 Fax: 574/223-6106

Scale: None

Drawn By: RM

App'd By: .

Date: 10/22/03

Supersedes Prints  
Prior To: 10/22/03

This print is and contains confidential proprietary information owned exclusively by TOPP INDUSTRIES, INC. It is furnished on a strictly confidential basis. This restriction includes, but is not limited to the condition that this print will not only be used as a record or to identify or inspect parts or for other information purposes and will not be used to manufacture or procure the manufacture of the items shown in this print by any other source than TOPP INDUSTRIES, INC.

Reference No: 10085

Revisions

① First Released 06/27/03