

PUMP INFORMATION

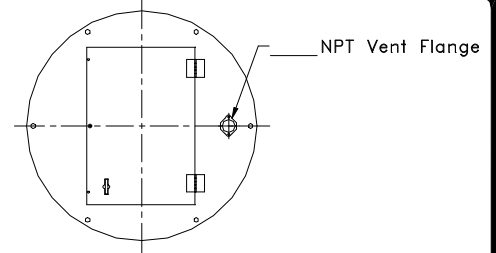
- Type: Sump Pump(s)
 Grinder Pump(s)
 Non-Clog Pump(s)

Model NO: _____
 Rating: _____ GPM _____ TDH
 Motor: _____ HP _____ RPM
 Elec: _____ PH _____ HZ _____ v
 Elec: _____ FL AMPS

DISCHARGE PIPE

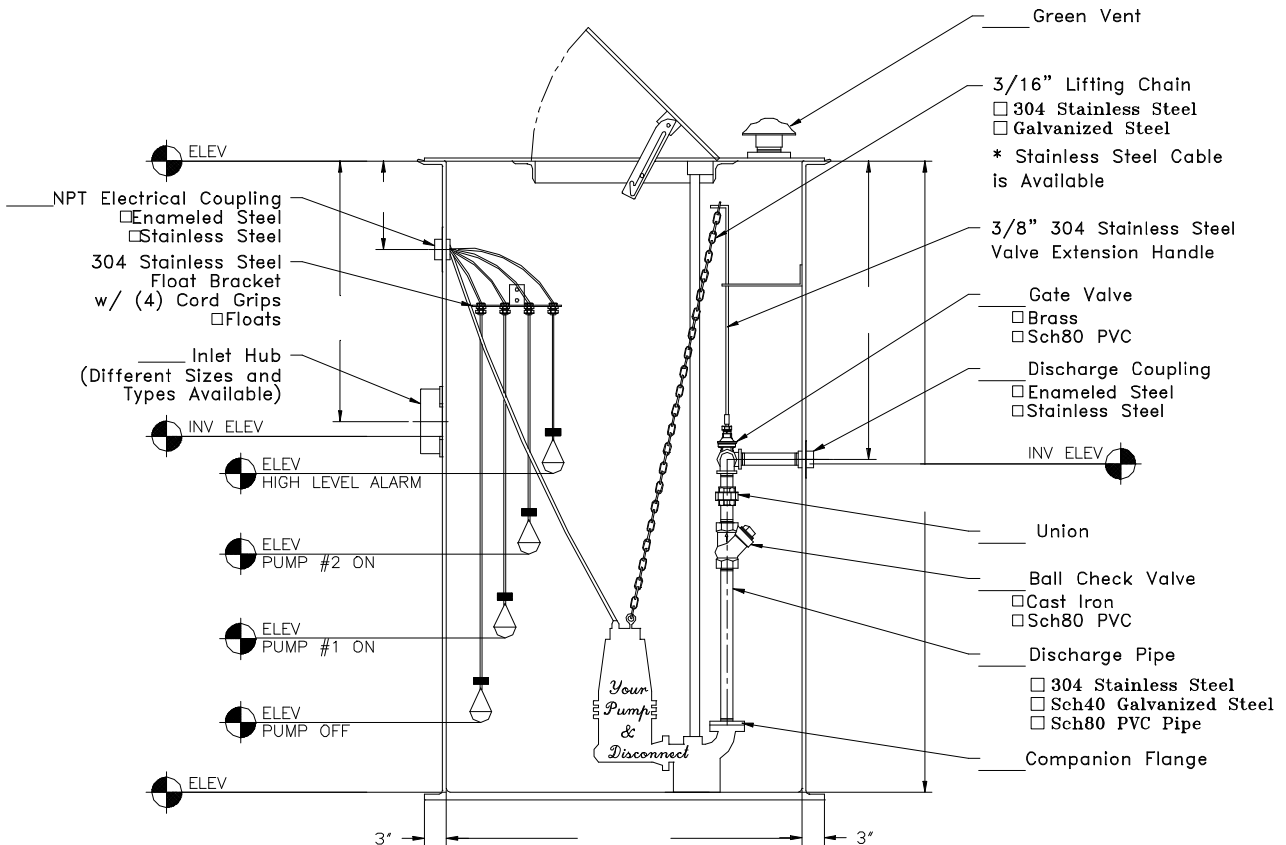
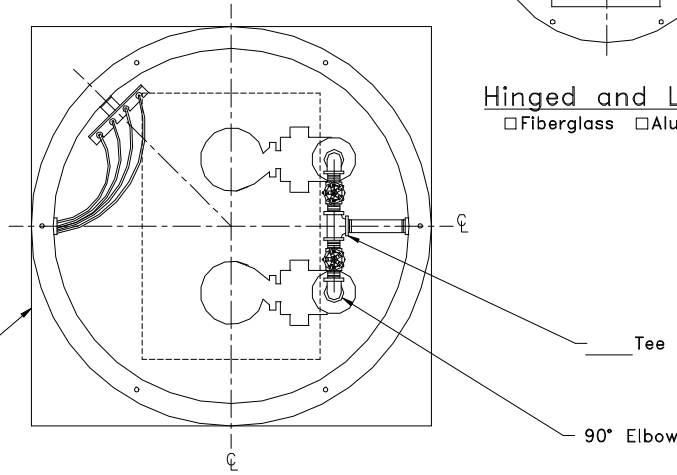
- 304 Stainless Steel
 Sch40 Galvanized Steel
 Sch80 PVC Pipe
 1 1/4"
 2"
 3"

- Anti-Floatation Flange
 Fiberglass Encapsulated
 ASTM A-36 Steel
 Round Fiberglass
 None



Hinged and Lockable Cover

- Fiberglass Aluminum Steel



- ____ NPT Electrical Coupling
 Enameled Steel
 Stainless Steel
 304 Stainless Steel
 Float Bracket
 w/ (4) Cord Grips
 Floats
 ____ Inlet Hub
 (Different Sizes and
 Types Available)

- ____ Green Vent
 3/16" Lifting Chain
 304 Stainless Steel
 Galvanized Steel
 * Stainless Steel Cable
 is Available
 3/8" 304 Stainless Steel
 Valve Extension Handle
 Gate Valve
 Brass
 Sch80 PVC
 Discharge Coupling
 Enameled Steel
 Stainless Steel
 Union
 Ball Check Valve
 Cast Iron
 Sch80 PVC
 Discharge Pipe
 304 Stainless Steel
 Sch40 Galvanized Steel
 Sch80 PVC Pipe
 Companion Flange



Prefabricated Fiberglass
 Duplex Lift Station
 Reference: Duplex Base Elbow
 Side Discharge

Scale: None
 Drawn By: RM
 App'd By: .
 Date: 05/16/03

This print is and contains confidential proprietary information owned exclusively
 by TOPP INDUSTRIES, INC. It is furnished on a strictly confidential basis. This
 restriction includes, but is not limited to the condition that this print will not only
 be used as a record or to identify or inspect parts or for other information purposes
 and will not be used to manufacture or procure the manufacture of the items shown
 in this print by any other source than TOPP INDUSTRIES, INC.

Highway 25 North P.O. Box 420
 Rochester, IN 46975
 Phone: 800/354-4534 Fax: 574/223-6106

Supersedes Prints
 Prior To: 05/16/03

Reference No: 10101

Revisions

Ⓐ	First Released.