

PUMP INFORMATION

- Type: Sump Pump(s)
 Grinder Pump(s)
 Non-Clog Pump(s)

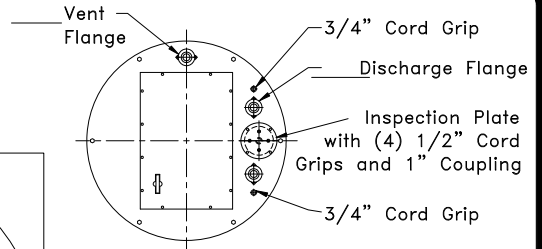
Model NO: _____
 Rating: _____ GPM _____ TDH
 Motor: _____ HP _____ RPM
 Elec: _____ PH _____ HZ _____ v
 Elec: _____ FL AMPS

DISCHARGE PIPE

- 304 Stainless Steel
 Sch40 Galvanized Steel
 Sch80 PVC Pipe

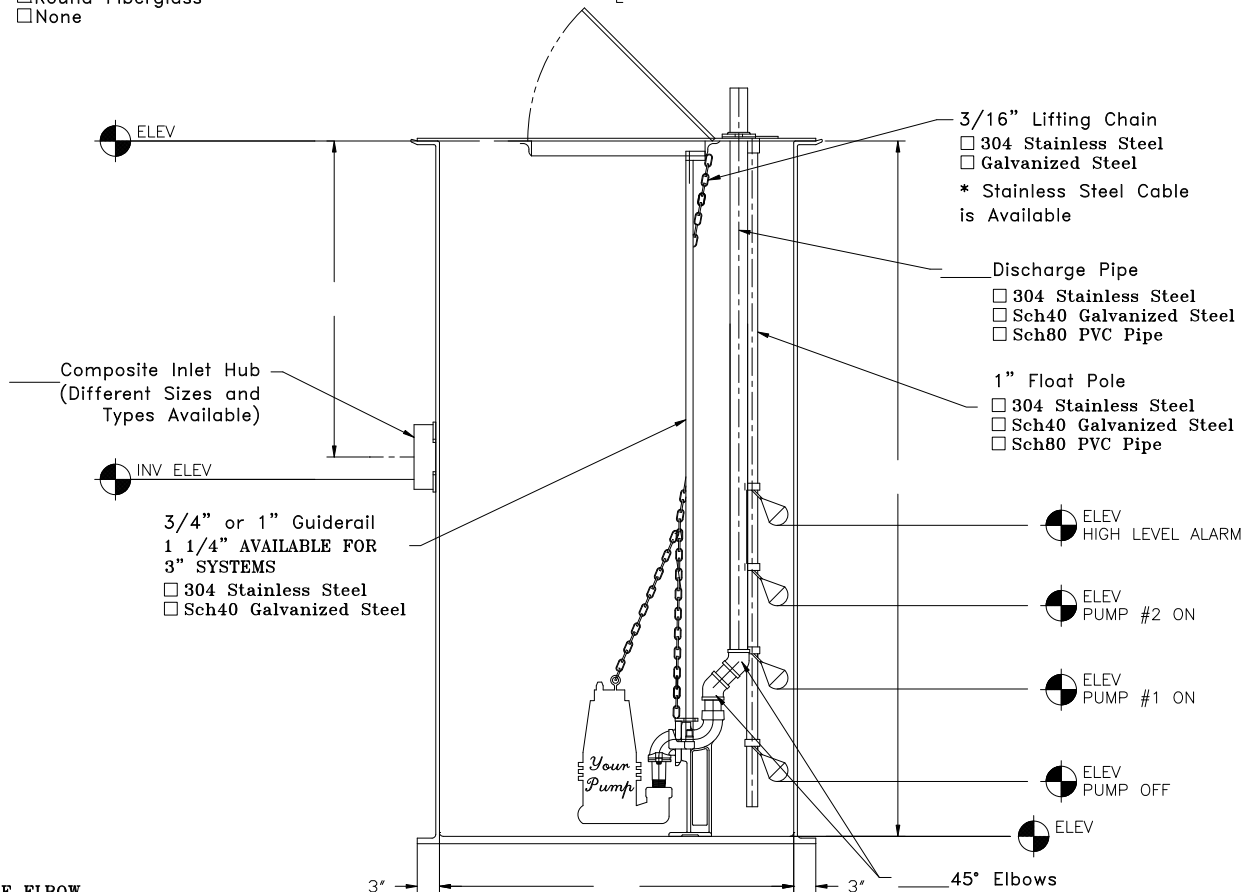
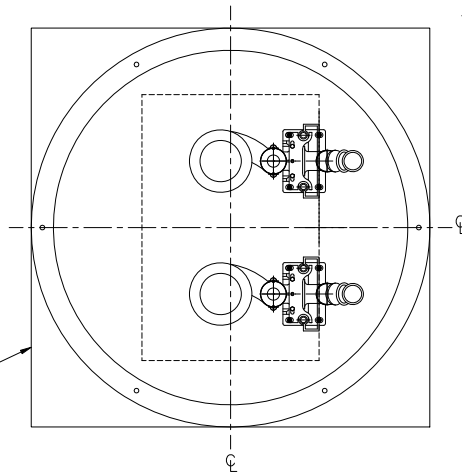
- 1 1/4"
 1 1/2"
 2"
 3"

- Anti-Floatation Flange
 Fiberglass Encapsulated
 ASTM A-36 Steel
 Round Fiberglass
 None



Gas Tight Hatch Cover

- Fiberglass Aluminum Steel



- 3/16" Lifting Chain
 304 Stainless Steel
 Galvanized Steel

* Stainless Steel Cable is Available

- Discharge Pipe
 304 Stainless Steel
 Sch40 Galvanized Steel
 Sch80 PVC Pipe

- 1" Float Pole
 304 Stainless Steel
 Sch40 Galvanized Steel
 Sch80 PVC Pipe

Composite Inlet Hub
 (Different Sizes and Types Available)

- 3/4" or 1" Guiderail
 1 1/4" AVAILABLE FOR 3" SYSTEMS
 304 Stainless Steel
 Sch40 Galvanized Steel

- ELEV HIGH LEVEL ALARM
 ELEV PUMP #2 ON
 ELEV PUMP #1 ON
 ELEV PUMP OFF
 ELEV

BASE ELBOW

- BERS-0125 - 1 1/4" Lift-Out Coupling
 BERS-0150 - 1 1/2" Lift-Out Coupling
 BERS-0200 - 2" Lift-Out Coupling
 BERS-0320 - 3" Lift-Out Coupling For 2" Pump
 BERS-0300 - 3" Lift-Out Coupling

- 45° Elbows
 304 Stainless Steel
 Sch40 Galvanized Steel
 Sch80 PVC Pipe



Prefabricated
 Fiberglass Lift Station
 Duplex - Top Discharge

Scale: None
 Drawn By: RM
 App'd By: .
 Date: 04/21/03

This print is and contains confidential proprietary information owned exclusively by TOPP INDUSTRIES, INC. It is furnished on a strictly confidential basis. This restriction includes, but is not limited to the condition that this print will not only be used as a record or to identify or inspect parts or for other information purposes and will not be used to manufacture or procure the manufacture of the items shown in this print by any other source than TOPP INDUSTRIES, INC.

Highway 25 North P.O. Box 420
 Rochester, IN 46975
 Phone: 800/354-4534 Fax: 574/223-6106

Supersedes Prints
 Prior To: 01/06/09

Reference No: 16739

Revisions

Ⓐ	First Released.