

**PUMP INFORMATION**

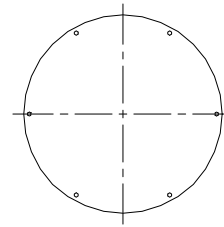
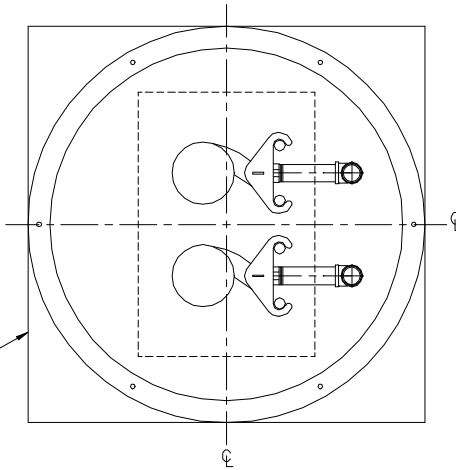
- Type:  Sump Pump(s)  
 Grinder Pump(s)  
 Non-Clog Pump(s)

Model NO: \_\_\_\_\_  
 Rating: \_\_\_\_\_ GPM \_\_\_\_\_ TDH  
 Motor: \_\_\_\_\_ HP \_\_\_\_\_ RPM  
 Elec: \_\_\_\_\_ PH \_\_\_\_\_ HZ \_\_\_\_\_ v  
 Elec: \_\_\_\_\_ FL AMPS

**DISCHARGE PIPE**

- 304 Stainless Steel  
 Sch40 Galvanized Steel  
 Sch80 PVC Pipe  
 1 1/4"  
 2"

- Anti-Floatation Flange  
 Fiberglass Encapsulated  
 ASTM A-36 Steel  
 Round Fiberglass  
 None

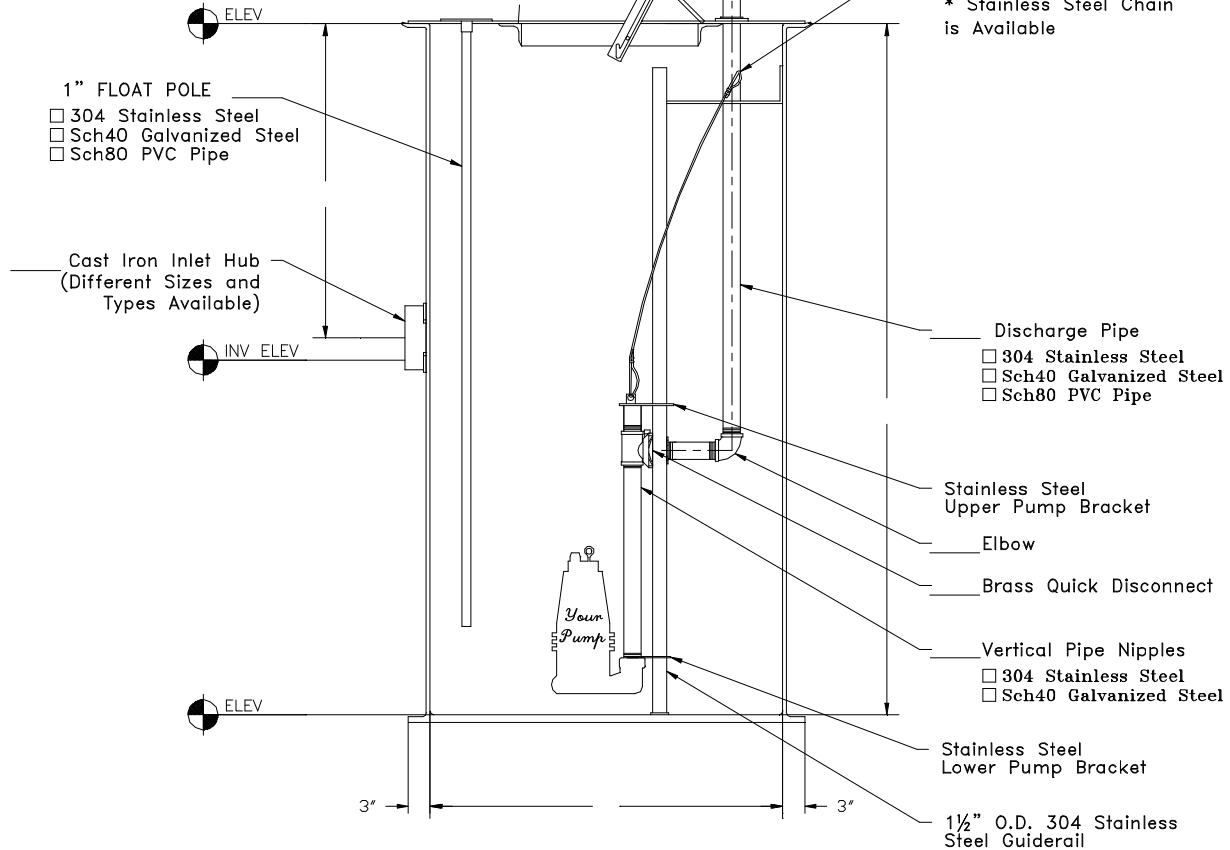


**Solid Cover**

- Fiberglass  
 Steel  
 3/4" Cord Grip  
 Discharge Flange  
 NPT Vent Flange  
 Discharge Flange  
 3/4" Cord Grip  
 IN04 W/Coupling

**Hinged and Lockable Cover**

- Fiberglass  Aluminum  Steel  
 3/16" 304 Stainless Steel Lifting Cable  
 \* Stainless Steel Chain is Available



Prefabricated Fiberglass Lift Station Reference: Duplex SGR Top Discharge With No Valves	Scale: None Drawn By: RM App'd By: . Date: 03/01/04	This print is and contains confidential proprietary information owned exclusively by TOPP INDUSTRIES, INC. It is furnished on a strictly confidential basis. This restriction includes, but is not limited to the condition that this print will not only be used as a record or to identify or inspect parts or for other information purposes and will not be used to manufacture or procure the manufacture of the items shown in this print by any other source than TOPP INDUSTRIES, INC.
	Highway 25 North P.O. Box 420 Rochester, IN 46975 Phone: 800/354-4534 Fax: 574/223-6106	
Reference No: 17507		Revisions (A) First Released.

Revisions
(A) First Released.