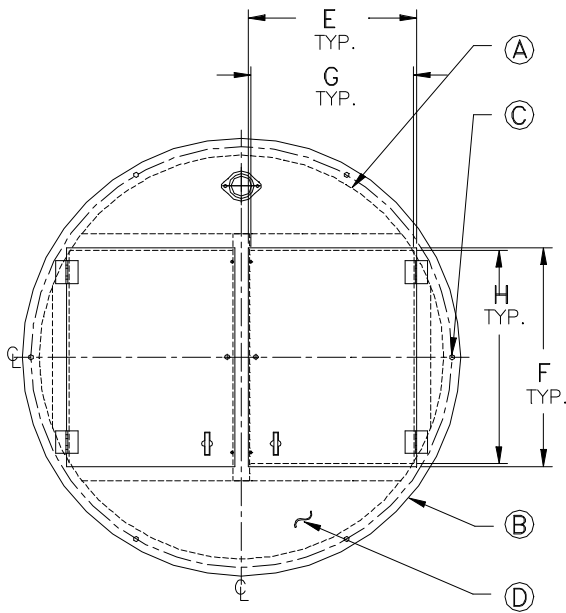


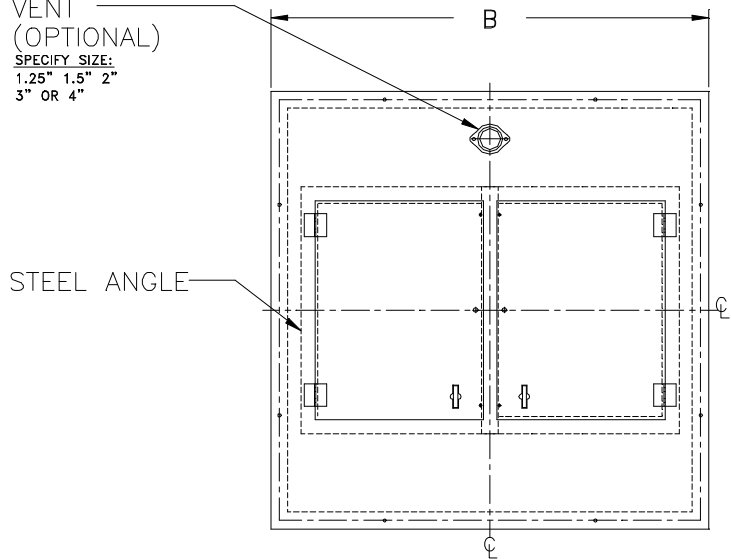
# DOUBLE HATCH ALUMINUM BASIN COVER

STAINLESS STEEL HARDWARE STANDARD  
GASKET TAPE PROVIDED



**ROUND COVER**  
HINGED AND LOCKABLE

VENT  
(OPTIONAL)  
SPECIFY SIZE:  
1.25" 1.5" 2"  
3" OR 4"



**SQUARE COVER**  
HINGED AND LOCKABLE

PART NO.	STYLE	Ⓐ BASIN INSIDE DIM.	Ⓑ OUTSIDE DIM.	Ⓒ BOLT CIRCLE	Ⓓ THICKNESS	Ⓔ HATCH DOOR WIDTH	Ⓕ HATCH DOOR LENGTH	Ⓖ CLEAR ACCESS WIDTH	Ⓗ CLEAR ACCESS LENGTH
C48HDS	ROUND SQUARE	48 48x48	54 54x54	51.0 51.0x51.0	.25 .25	18 20	25 29	17 19	24 28
C60HDS	ROUND SQUARE	60 60x60	66 66x66	63.0 63.0x63.0	.375 .375	21 25	31 37	20 24	30 36
C72HDS	ROUND SQUARE	72 72x72	78 78x78	75.0 75.0x75.0	.375 .375	25 31	41 49	24 30	40 48

ALL DIMENSIONS IN INCHES



DOUBLE HATCH ALUMINUM  
BASIN COVER

Scale: None  
Drawn By: RM  
App'd By: .  
Date: 03/15/04

Reference: -

Highway 25 North P.O. Box 420  
Rochester, IN 46975  
Phone: 800/354-4534 Fax: 574/223-6106

Supersedes Prints  
Prior To: 03/15/04

Reference No: 17542

This print is and contains confidential proprietary information owned exclusively by TOPP INDUSTRIES, INC. It is furnished on a strictly confidential basis. This restriction includes, but is not limited to the condition that this print will not only be used as a record or to identify or inspect parts or for other information purposes and will not be used to manufacture or procure the manufacture of the items shown in this print by any other source than TOPP INDUSTRIES, INC.

Revisions

①	First Released 06/27/03