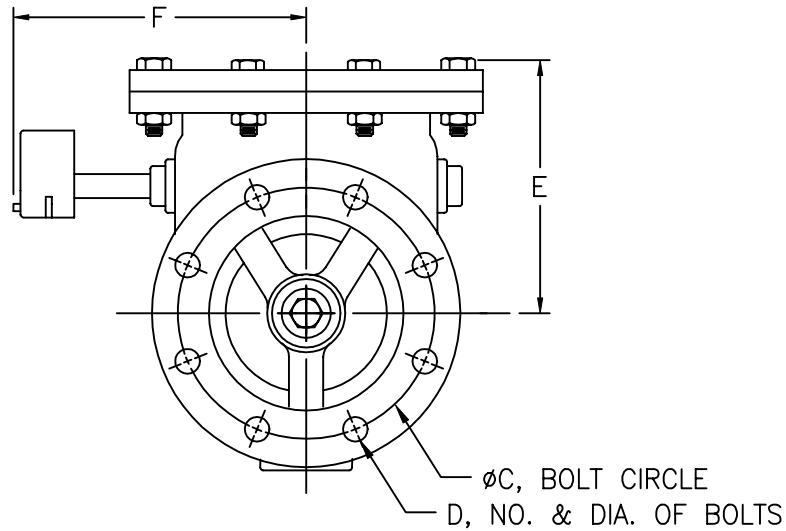
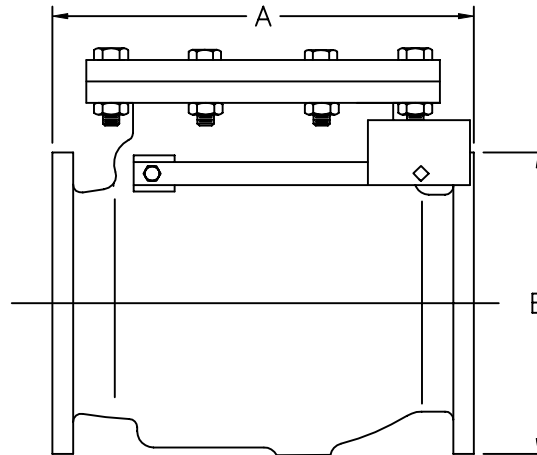


**SWING CHECK VALVE
LEVER AND WEIGHT
2" thru 30"
DIMENSIONAL DATA**

MODEL 90LW - Class 125



FOR REFERENCE USE ONLY, SPECIFICATIONS SUBJECT TO CHANGE WITHOUT NOTICE.

SIZE(in.)	PART No.	A	B	C	D	E	F	WT. lbs.
2	2704LW	8	6	4 3/4	(4) 5/8	6	4 3/4	36
3	2706LW	9 1/2	7 1/2	6	(4) 5/8	7 1/16	5 11/32	62
10	2711LW	24.5	16	14 1/4	(12) 7/8	13 15/16	11 5/8	522
12	2712LW	27 1/2	19	17	(12) 7/8	16 3/16	13 3/4	733
14	2714LW	30	21	18 3/4	(12) 1	18 3/4	17	1150
16	2716LW	35	23 1/2	21 1/4	(16) 1	23	19 1/2	1630
18	2718LW	36 1/2	25	22 3/4	(16) 1 1/8	25	21	1835
20	2720LW	37 5/8	27 1/2	25	(20) 1 1/8	24 1/2	22 3/8	2470
24	2724LW	44	32	29 1/2	(20) 1 1/4	28	28 1/2	3415
30	2730LW	49 1/2	38 3/4	36	(28) 1 1/4	32 7/8	30 5/8	4950



FLOMATIC CORPORATION
 GLENS FALLS, N.Y. 12801
 PHONE (518) 761-9797
 FAX (518) 761-9798

DATE: 1/2/91
 DWG. NO.: S6017
 REV.: J (2/02)