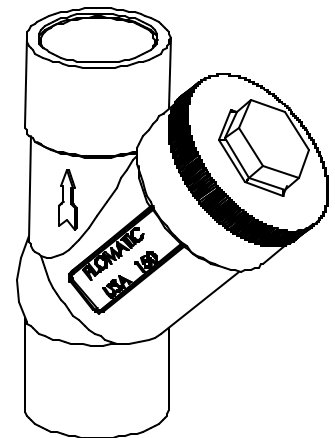
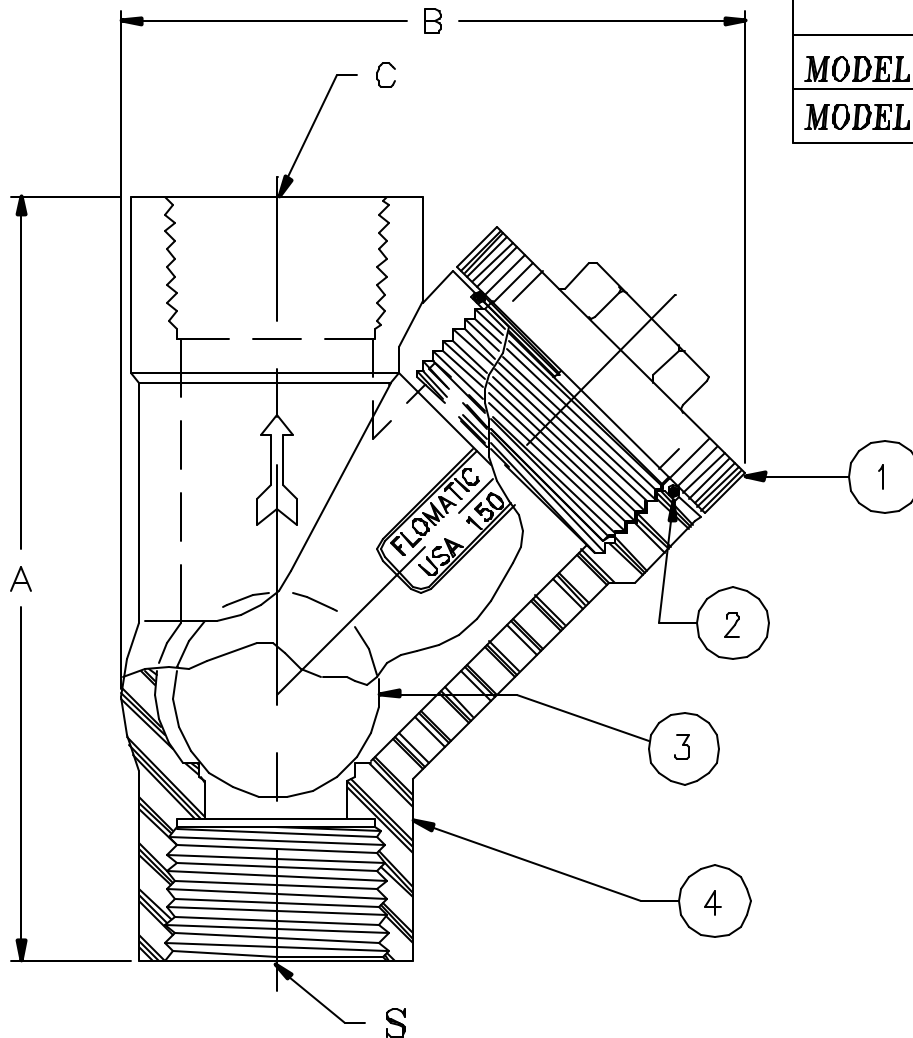


# BALL CHECK VALVE 1" thru 2"

MODEL 208T - THREADED  
MODEL 208S - SOCKET



MAX TEMP 150° AND MAX PRESSURE 100 PSI  
NOTE: PLASTIC VALVES SHOULD NOT BE BURIED UNDERGROUND  
\* USES BUSHING NOT SHOWN

**FOR REFERENCE USE ONLY, SPECIFICATIONS TO CHANGE WITHOUT NOTICE.**

SIZE - C	PART NO.	A	B
*1"-NPT	2131-T	6 27/32	4 1/2
*1"-SOCKET	2131-S	6 25/32	4 1/2
1 1/4"-NPT	2132-T	5 21/32	4 1/2
1 1/4"-SOCKET	2132-S	5 5/8	4 1/2
*1 1/2"-NPT	2133-T	8 13/64	6 11/32
*1 1/2"-SOCKET	2133-S	8 13/64	6 11/32
2"-NPT	2134-T	7 1/16	6 11/32
2"-SOCKET	2134-S	7 1/16	6 11/32

ITEM	QTY.	DESCRIPTION	MATERIAL	ASTM
1	1	CAP	PVC	---
2	1	O-RING	BUNA-N	---
3	1	BALL (SINKING)	BUNA-N	---
4	1	BODY	PVC	---
5*	2	BUSHING (NOT SHOWN)	PVC	---