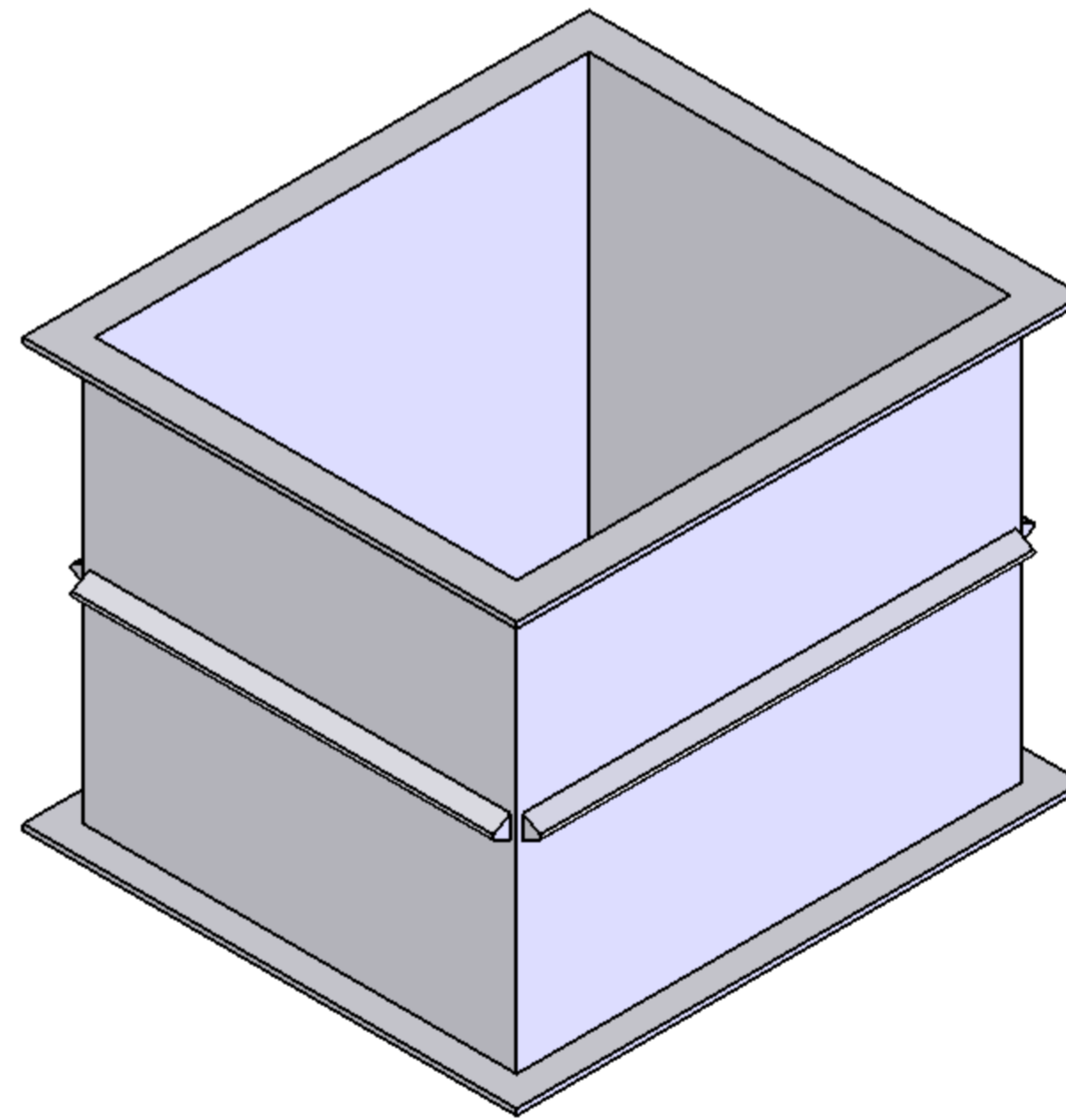
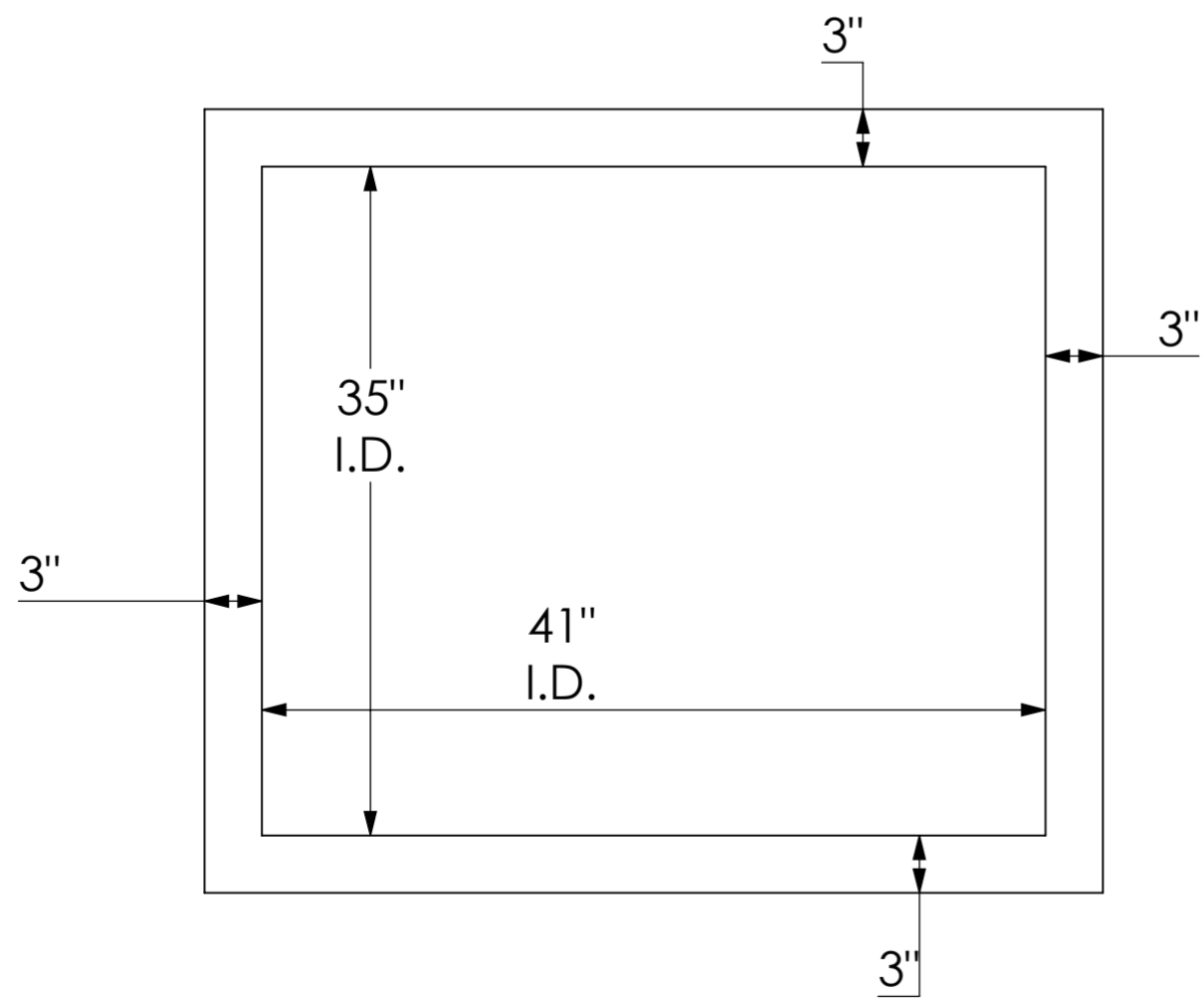
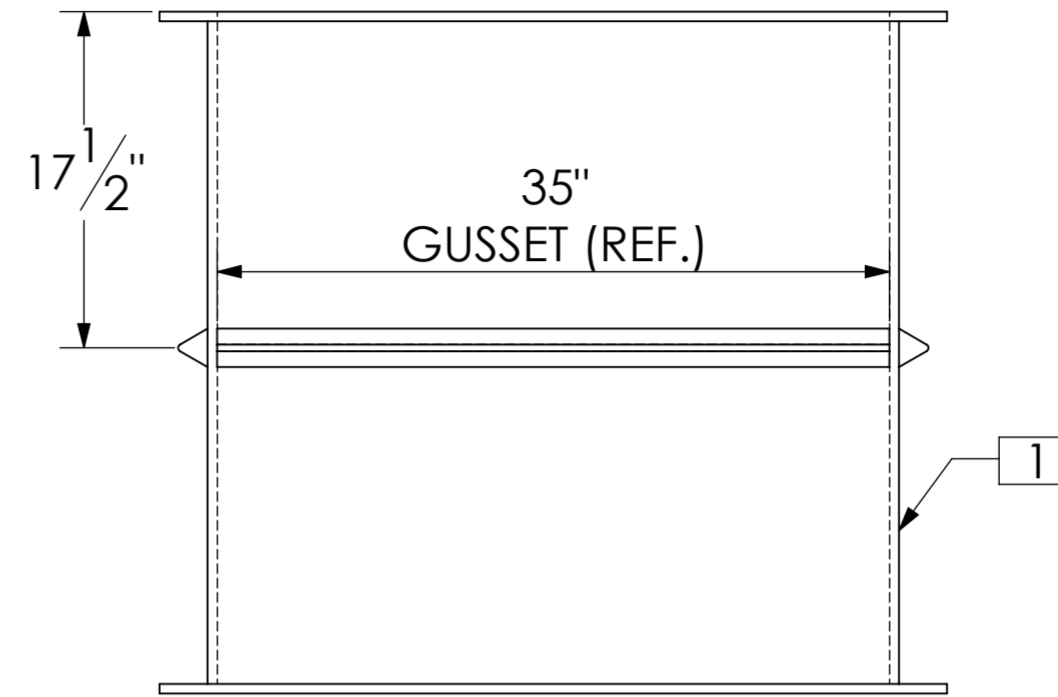
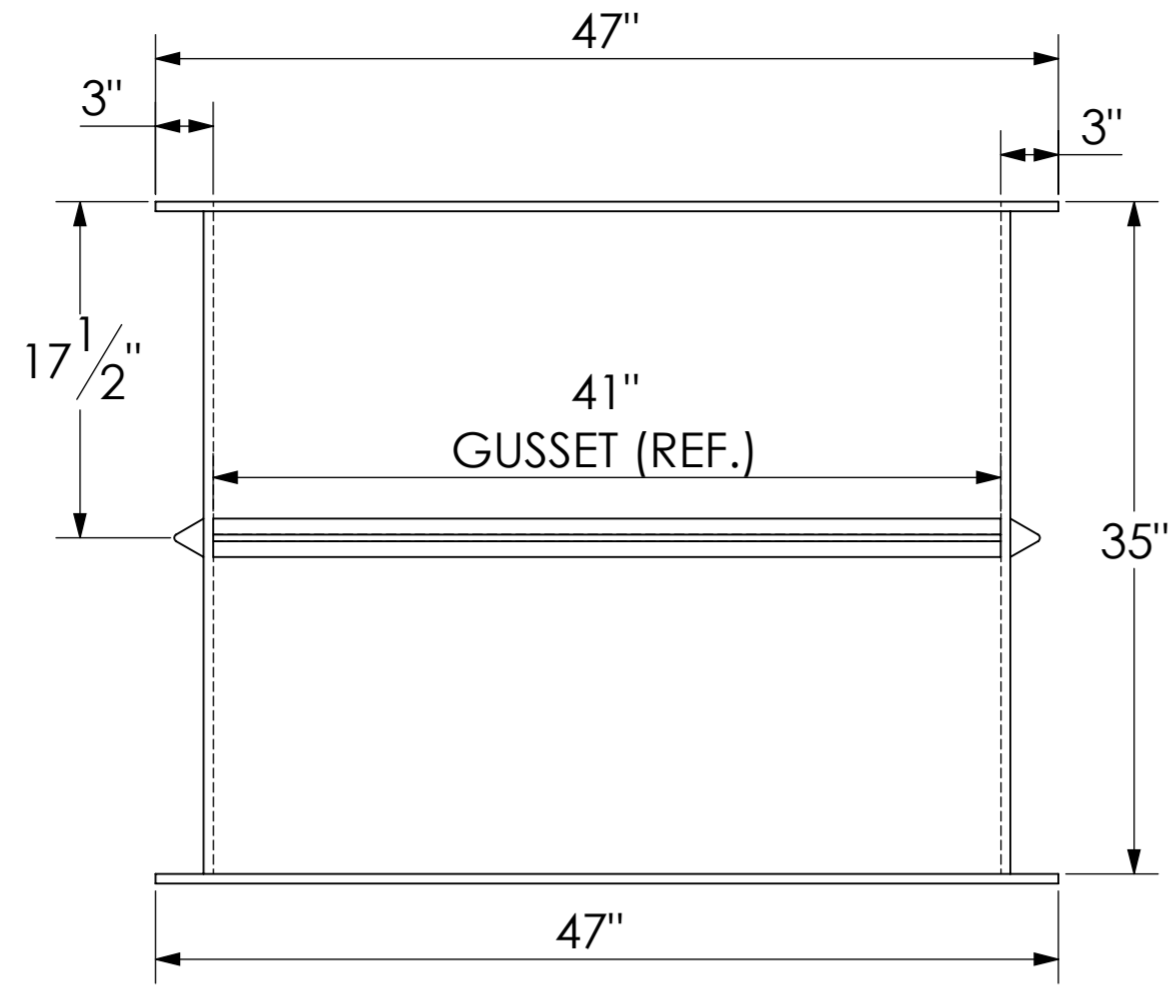


ITEM NO.	PART NUMBER	BILL OF MATERIAL DESCRIPTION	QTY.
1	FRVB35X41X35F	35"X 41"X 35" FIBERGLASS VALVEBOX W/FG ANTI-FLOAT	1



O.D. = OUTER DIAMETER  
 B.C. = BOLT CIRCLE  
 I.D. = INNER DIAMETER  
 C.A. = CLEAR ACCESS

**TOPP**  
 INDUSTRIES  
 INCORPORATED  
 P.O. BOX 420 ^ HWY. 25 N.  
 ROCHESTER, IN. 46975  
 (800) 354-4534 FAX: (574) 223-6106

UNLESS OTHERWISE SPECIFIED: DIMENSIONS ARE IN MILLIMETERS		PUMP & DISCONNECT:		DO NOT SCALE DRAWING		REVISION		00	
SURFACE FINISH:		SO:		PO:		TITLE:			
TOLERANCES:		DATE		DRAWN		DWG NO.		A2	
LINEAR:		3/22/2012		gh		FRVB35X41X35F			
ANGULAR:						SCALE:1:10		SHEET 1 OF 1	
DRAWN									
CHK'D									
APP'VD									
MFG									
G.A.									
MATERIAL:									
WEIGHT:									