

Square H-20 Hatch/Access Cover



The **Square H-20 Hatch/Access Cover** is designed for a load rating of 16,000 lbs with a 30% impact factor, applied over a 10" x 20" area. Intended for use in off-street locations with occasional traffic like sidewalks, parking lots, medians and road shoulders. Also acceptable for use in parking garages.

Features Include:

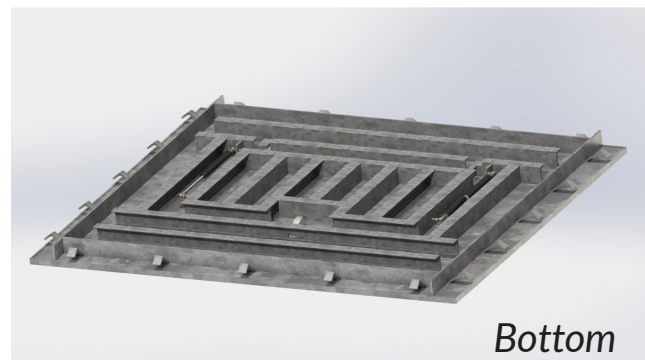
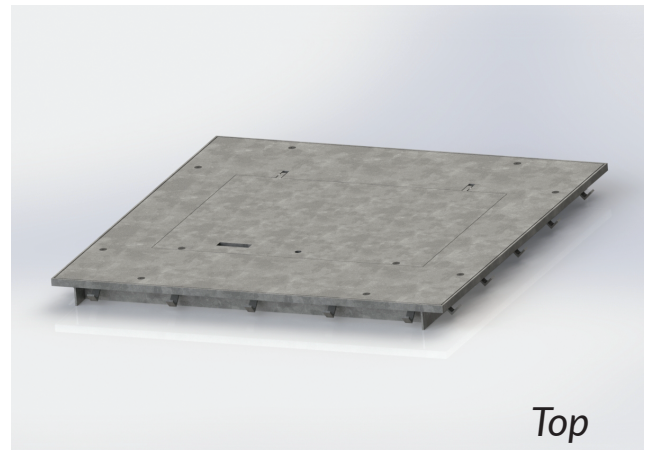
- 5/8" thick ASTM A36 smooth steel
- Hot dipped galvanized finish
- Steel curb frame with anchor legs
- Threaded holes for eyebolts to assist with lifting

Optional Features:

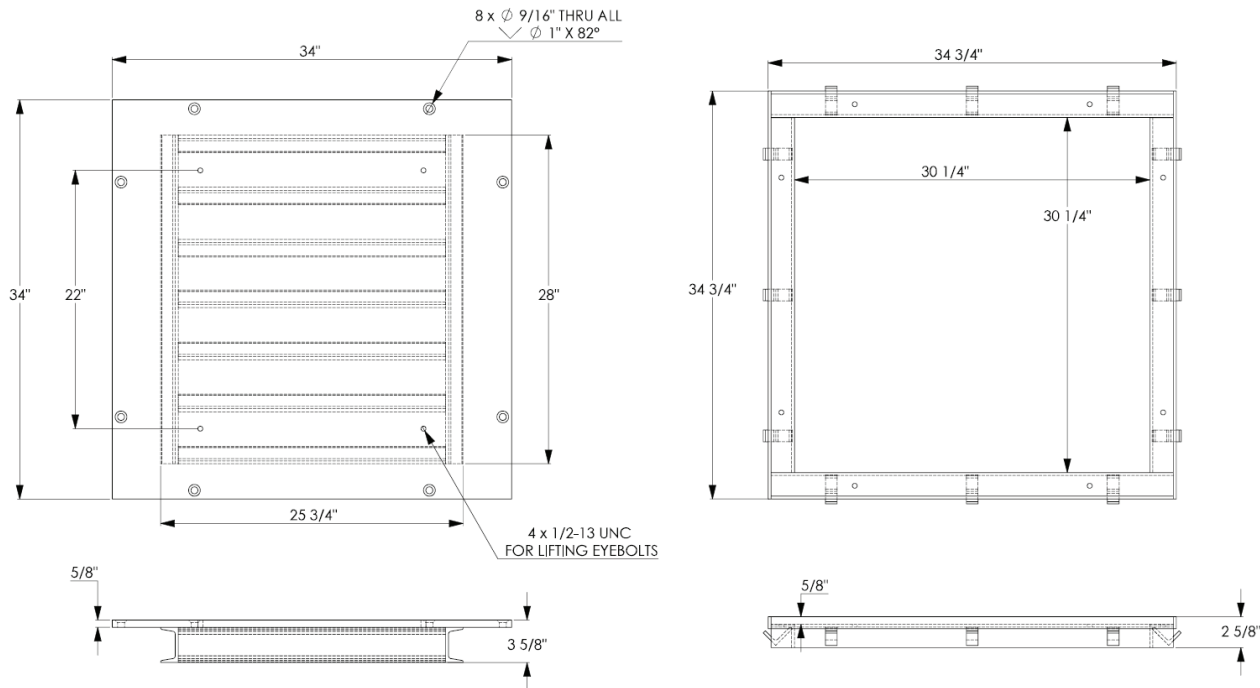
- Tread plate steel
- Fall through protection

Cover Sizes:

- Available in 18", 24", 30", 36", 42", 48", 60" & 72"
(larger sizes available upon request)



Square H-20 Hatch/Access Cover



Drawing for C30HSSXSQ-20

Part No.	Style	Inside Dim.	Outside Dim.	Bolt Circle	Thickness	Clear Access (Hatch)
C24WSSQ-20	Square - Solid	24 1/4"	28 3/4"	26 1/2"	5/8"	24 1/4" x 24 1/4"
C30WSSQ-20	Square - Solid					30 1/4" x 30 1/4"
C30HSSSQ-20	Square - Hatch	30 1/4"	34 3/4"	32 1/2"	5/8"	18 1/4" x 22 3/4"
C30HSSXSQ-20	Square - Gas Tight Hatch					18 1/4" x 22 3/4"
C36WSSQ-20	Square - Solid					34 1/4" x 34 1/4"
C36HSSSQ-20	Square - Hatch	34 1/4"	40 3/4"	38 1/2"	5/8"	19 3/4" x 24 1/4"
C36HSSXSQ-20	Square - Gas Tight Hatch					19 3/4" x 24 1/4"
C42WSSQ-20	Square - Solid					40 1/4" x 40 1/4"
C42HSSSQ-20	Square - Hatch	40 1/4"	46 3/4"	44 1/2"	5/8"	24 1/4" x 31 3/4"
C42HSSXSQ-20	Square - Gas Tight Hatch					24 1/4" x 31 3/4"
C48WSSQ-20	Square - Solid					48 1/4" x 48 1/4"
C48HSSSQ-20	Square - Hatch	48 1/4"	54 3/4"	50"	5/8"	25 1/4" x 36 1/8"
C48HSSXSQ-20	Square - Gas Tight Hatch					25 1/4" x 36 1/8"
C60WSSQ-20	Square - Solid					60 1/4" x 60 1/4"
C60HSSSQ-20	Square - Hatch	60 1/4"	66 3/4"	64 1/2"	5/8"	29" x 39 5/8"
C60HSSXSQ-20	Square - Gas Tight Hatch					29" x 39 5/8"
C72WSSQ-20	Square - Solid					72 1/4" x 72 1/4"
C72HSSSQ-20	Square - Hatch	72 1/4"	78 3/4"	76 1/2"	5/8"	33 7/8" x 48"
C72HSSXSQ-20	Square - Gas Tight Hatch					33 7/8" x 48"